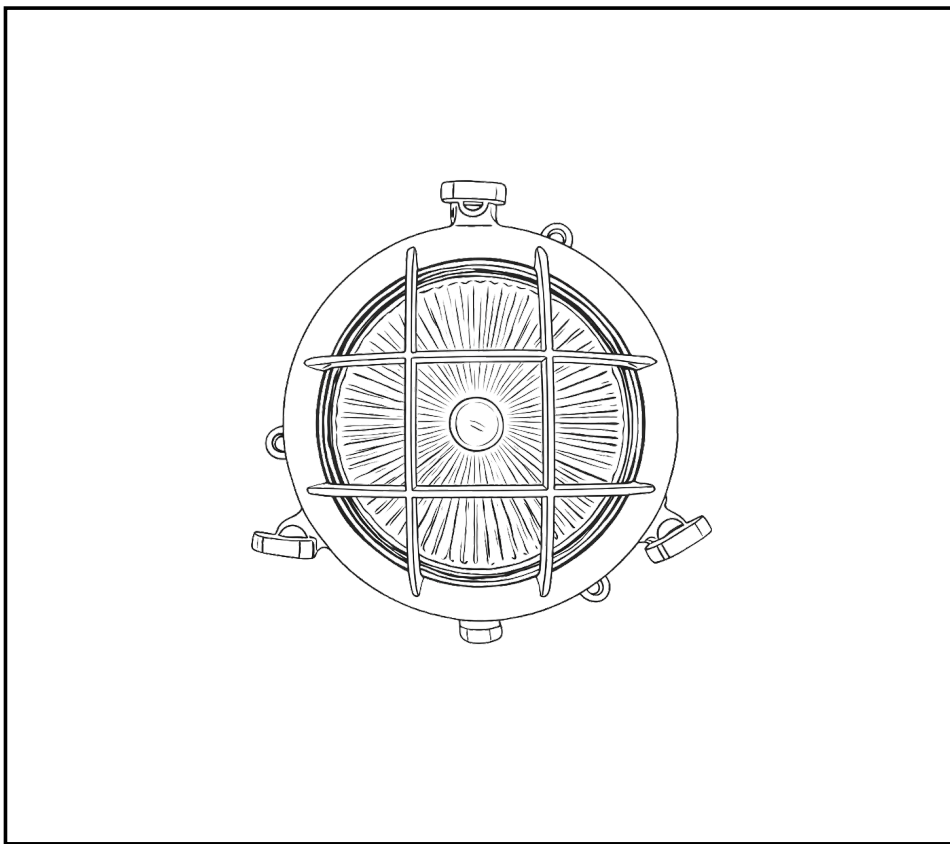




# Navigator



## Mini Compass Guard Installation Guide

Applies to models: 09006, 09004, 09308

# Components

1x Light fitting.

1x G9 lampholder.

3x wall-plugs and screws

## Electrical safety warning

- Before any work turn off the mains supply.
- Installation should only be carried out by a qualified electrician, who should be aware of the current Regulations on Internal & External Installations.
- In case of glass breakage, replacement must be made immediately.
- Lightbulb Wattage should never exceed the Wattage (W) indicated on the label of packaging of the product.
- The product should be connected to a line protected by a differential current circuit, while the nominal persistent operating current should not exceed 30mA (leakage relay).

## General information

- 230V ~ 50Hz
- Class I
- Not intended for connection to fixed wiring.
- Rubber double-insulation H05RN-F 3G1.5 power cable should be used for the connection of the light fixture.
- Power cable not included.

# Installation Instructions

**IMPORTANT:** If you are unsure at any point, STOP and seek professional assistance. Do not proceed unless you are confident.

## A. MOUNTING THE LIGHT FIXTURE

1. Unscrew the cage and remove the glass from the body of the light fixture.
2. Using the base of the light fixture as an installation holder, mark the surface on which you wish to mount it.
3. Drill holes to mount the fixture and fix the base of the light fixture to it, using the supplied wall-plugs and screws.

## B. CONNECTING THE POWER CABLE

4. Remove the lamp holder and the terminal block from the fixture.
5. Pass the power cable through the cable tunnel.
6. Connect the power cable to the terminal block.
7. Fix the live wire (brown) and the neutral (blue) wires to the lamp holder and the grounding wire (yellow and white) of the fixture next to the grounding symbol ( $\perp$ ), using the supplied screw and M4 washer.
8. Fit the lamp holder and the terminal block on the base of the light fixture.
9. Tighten the cable gland.
10. Connect the power supply wire over the lamp holder.
11. Fit the glass and fasten the cage to the body of the light fixture.
12. Turn on the power supply.

## C. REPLACING THE LIGHTBULB

13. Turn off the mains supply.
14. Do not try to remove the bulb immediately as it may cause burns on the skin.
15. Unscrew the cage.
16. Remove the glass.
17. Unscrew the lightbulb gently.
18. Do not touch the lightbulb with bare hands.
19. Use a dry cloth to hold the lightbulb.
20. Replace the lightbulb with the same kind and wattage.
21. Insert the new lightbulb very carefully while it is still in the lamp holder.
22. Before feeding the power supply, clean the lightbulb.
23. Screw the glass and cage back on.

The manufacturer bears no responsibility for any injury or damage resulting from incorrect installation or use of the product.

Navigator Lighting (part of Lampfix)  
Unit 6 Fen End, Stotfold, Hitchin, Herts. SG5 4BA

Tel: 01462 731173 | Email: [sales@navigatorlighting.co.uk](mailto:sales@navigatorlighting.co.uk) |  
Website: [navigatorlighting.co.uk](http://navigatorlighting.co.uk) V2 09.03.2026